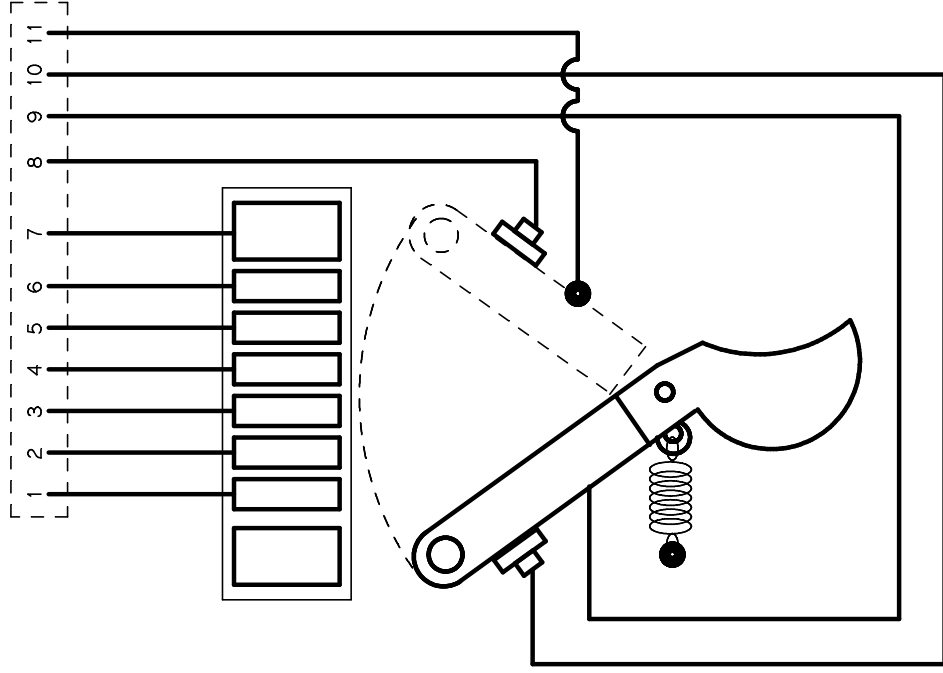
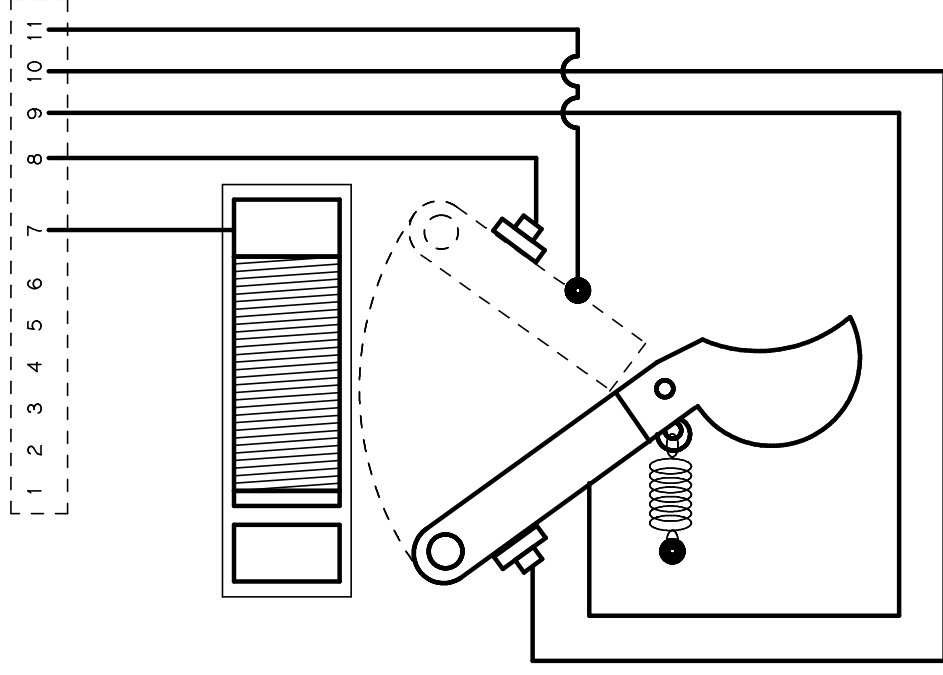


1) with Switch Block



2) with Resistor 25/35ohm



Slotracing Merlijn R&D

17/06/2005

Rev. 1.00

Controller